

# PZB

Available from: *MAY 2013*

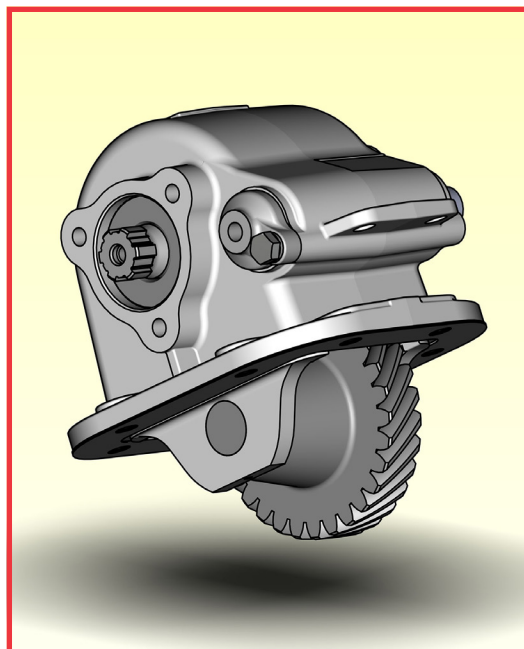


006/2013 - rev.0



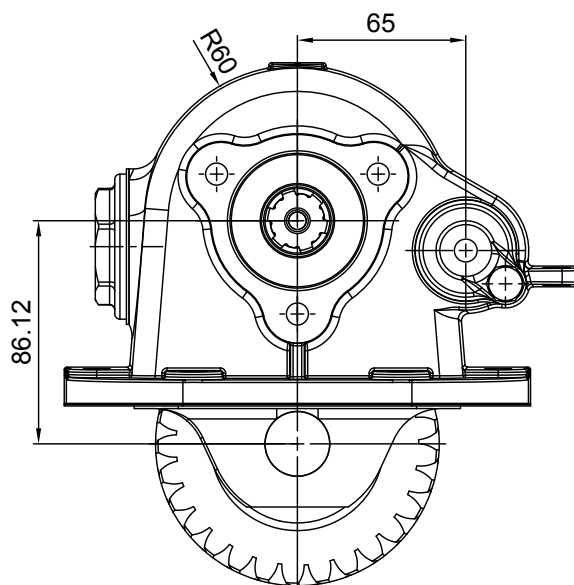
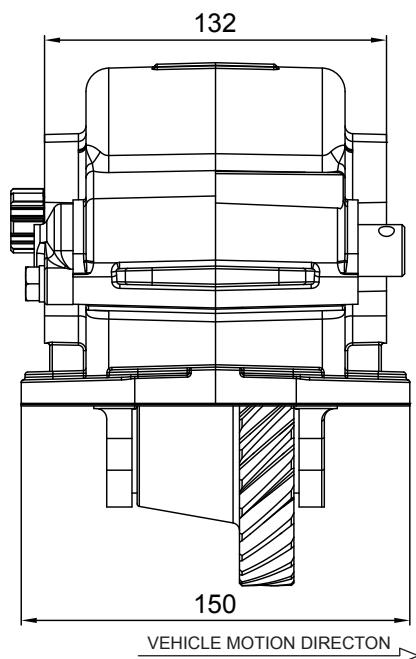
## NEW SIDE PTO CODE 4282W FOR NEW WANIER 6S51B/5,513 GEARBOX

PZB presents the new side PTO code **4282W** for the new WANIER 6S51B/5,513 gearbox.  
For more details, please contact our sales department or refer to our WebPTO program ("Main Archives" menu, "PTO" section).



### TECHNICAL SPECIFICATIONS PTO CODE 4282W

Torque (Nm):	200
Output ratio:	1.049
Rotation:	opposite engine
Shift type:	pneumatic 1/8" GAS
To be additionally required:	mounting kit code. 205C0980000
On request:	Merit switch kit code 205E8180000 wiring kit code 205E4820000



# NEW

D01P-0-02 - New PZB - rev. 0

Interpump Hydraulics Spa a socio unico - **Business Unit PZB**

Sede Legale : via Leonardo da Vinci, 17/1 • 41015 Nonantola MO - Italy

Cap. Soc. Euro 2.631.600,00 i.v. • N. Mecc. MO 019644 • R.E.A. MO 245506 • C.F. 00883010241 • P.Iva IT02128140361

Sede Operativa : via Persicetana, 2/b • 40012 Calderara di Reno BO - Italy • T +39 051 6460511 • F +39 051 6460560 • info@pzbitaly.com • pzbitaly.com

Soggetta ad attività di Direzione e Coordinamento da parte di Interpump Group Spa

Pag. 1/1

