



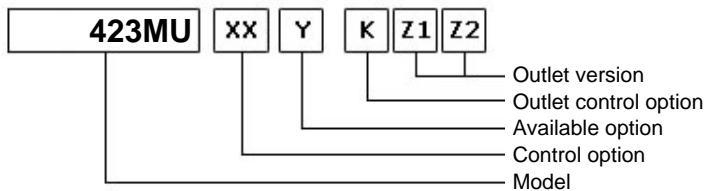
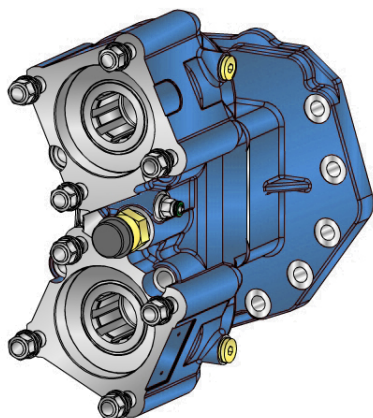
# PZB®

D01P-0-03 - Pagina WebPTO PZB - rev. 0

## 423MU



### #PTO POS. M. D. D.U. MERCEDES G211



	<b>Output 1</b>	<b>Output 2</b>	<b>Number of teeth</b>	12
<b>Torque (Nm)</b>	450	450	<b>Module</b>	3
<b>Int. ratio</b>	1,33	1,33	<b>Replace</b>	
<b>Number of axles</b>	2	2	<b>Replaced by</b>	

### Command type

- |  |   |  |
|--|---|--|
| <input type="checkbox"/> Mechanical with lever remote control (TC) | <input type="checkbox"/> Hydraulic control      | <input type="checkbox"/> Pneumatic                     |
| <input type="checkbox"/> Ready for electric solenoid control       | <input type="checkbox"/> Depressure control     | <input checked="" type="checkbox"/> Constantly engaged |
| <input type="checkbox"/> Mechanical with PUSH-PULL remote control  | <input type="checkbox"/> Electric control KES 5 | <input type="checkbox"/> Ready for detached control    |

