

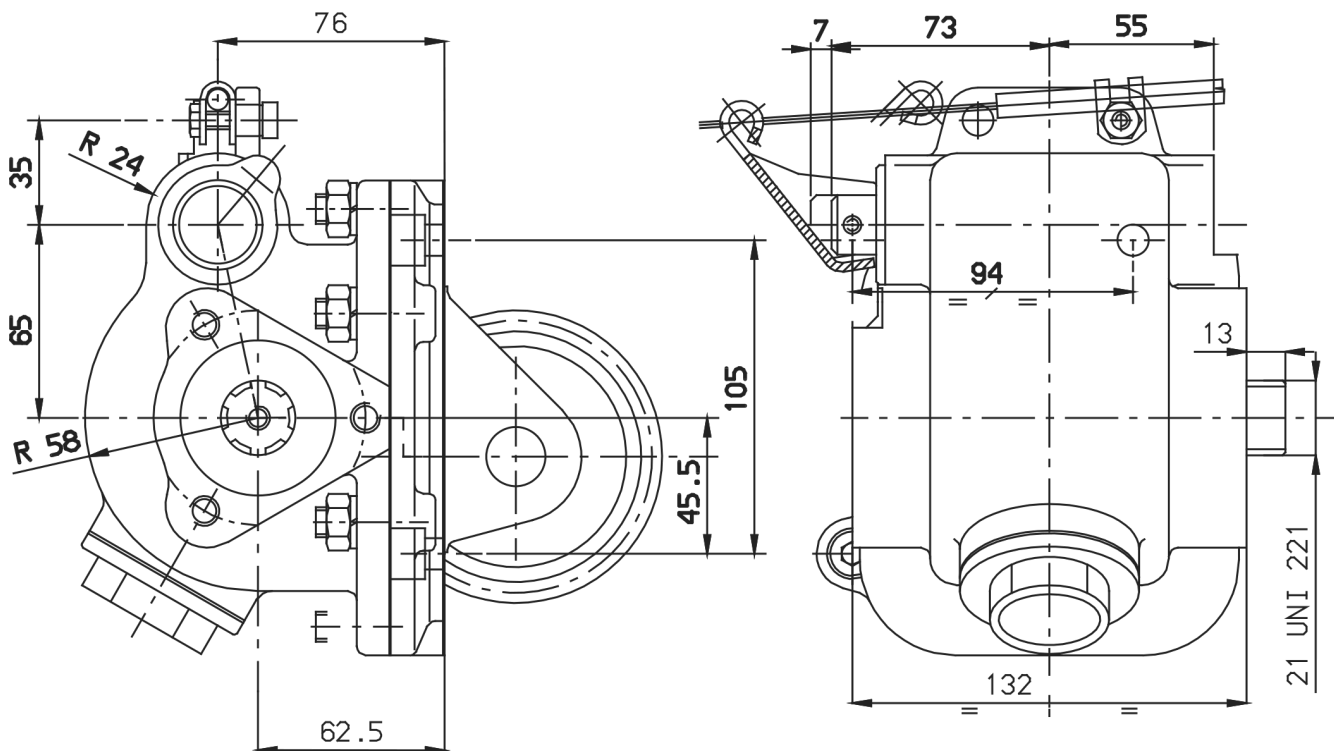
Outlet version
Available option
Control option
Model
PTO

| | | | | |
|------------------------|-----------------|--|------------------------|----|
| | Output 1 | | Number of teeth | 28 |
| Torque (Nm) | 155 | | Module | 3 |
| Int. ratio | 1,17 | | Replace | |
| Number of axles | 2 | | Replaced by | |

27/07/2006

Command type

Electric Hydraulic Mechanical Fixed engagement Pneumatic Vacuum system



SENSO DI MARCIA
VEHICLE MOTION DIRECTION

