

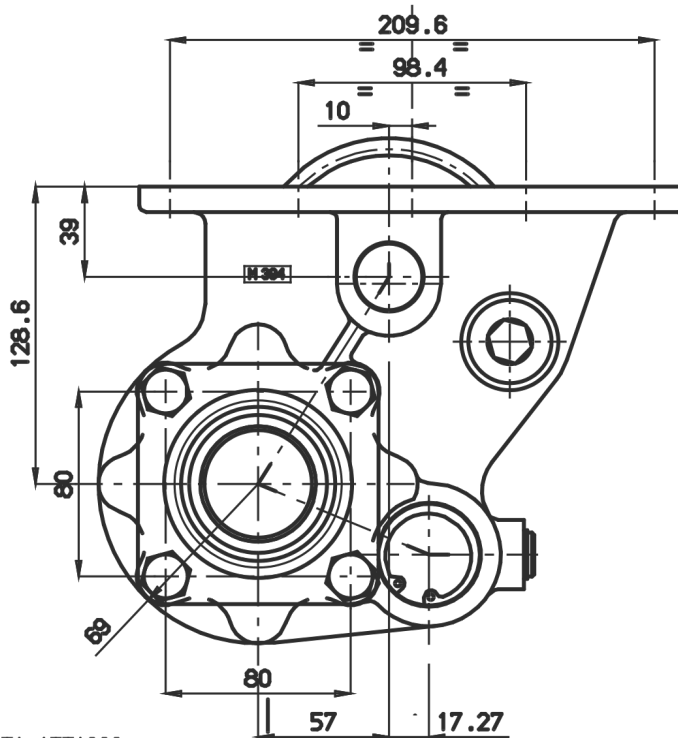
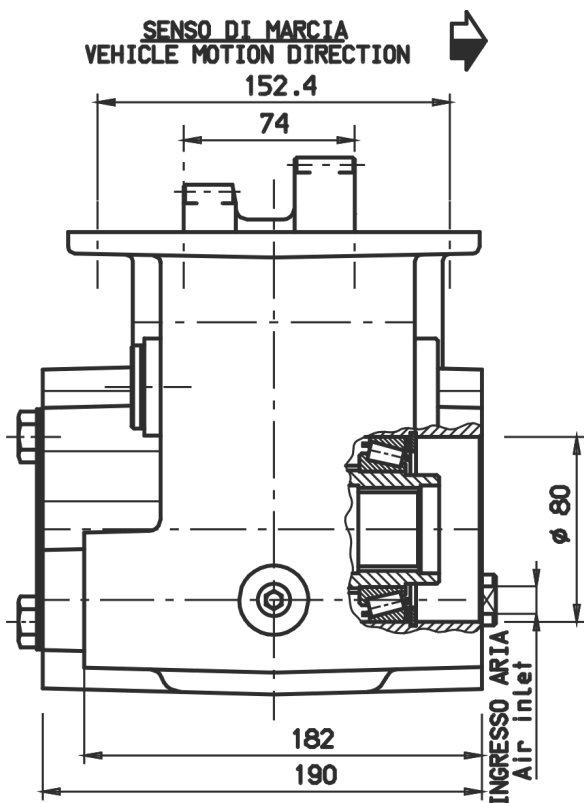
Outlet version
Available option
Control option
Model
PTO

	Output 1		Number of teeth	28
Torque (Nm)	500		Module	4,23
Int. ratio	0,82		Replace	
Number of axles	2		Replaced by	

27/04/2012

Command type

Electric Hydraulic Mechanical Fixed engagement Pneumatic Vacuum system



USCITA ATTACCO
POMPA "SE/R"
OUTPUT TYPE
PUMP DRIVE "SE/R"