

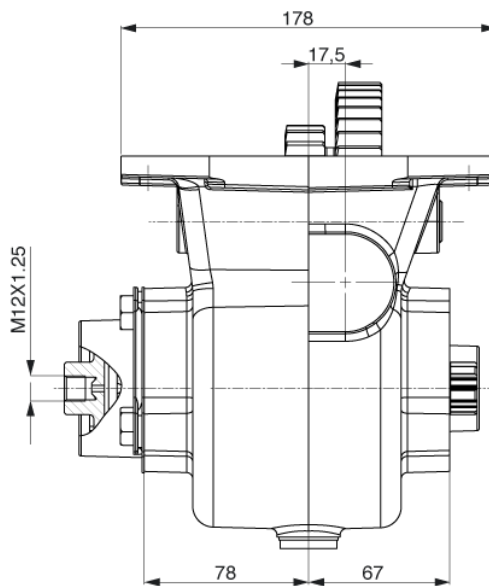
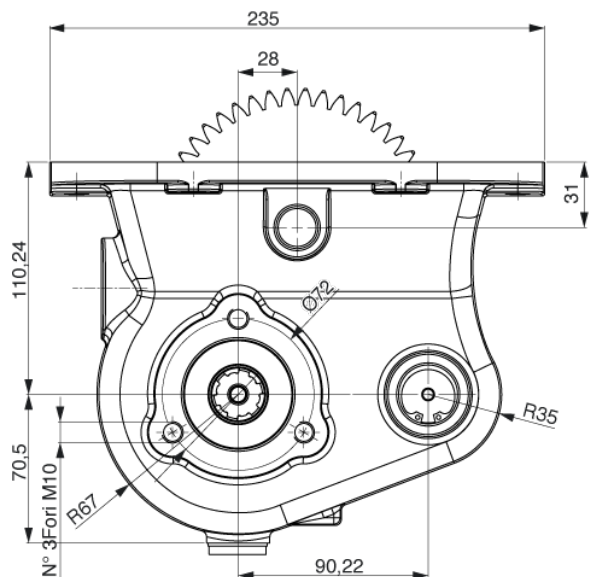
Outlet version
 Available option
 Control option
 Model
 PTO

	Output 1		Number of teeth	41
Torque (Nm)	250		Module	2,54
Int. ratio	0,731		Replace	
Number of axles	2		Replaced by	

28/02/2012

Command type

Electric Hydraulic Mechanical Fixed engagement Pneumatic Vacuum system



VEHICLE MOTION DIRECTION

