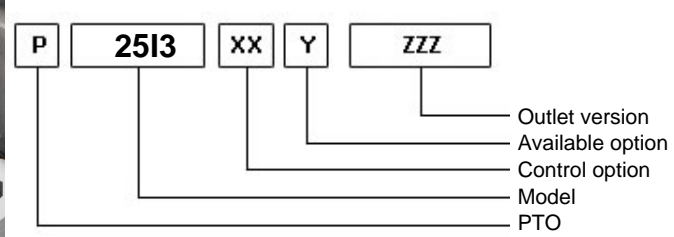
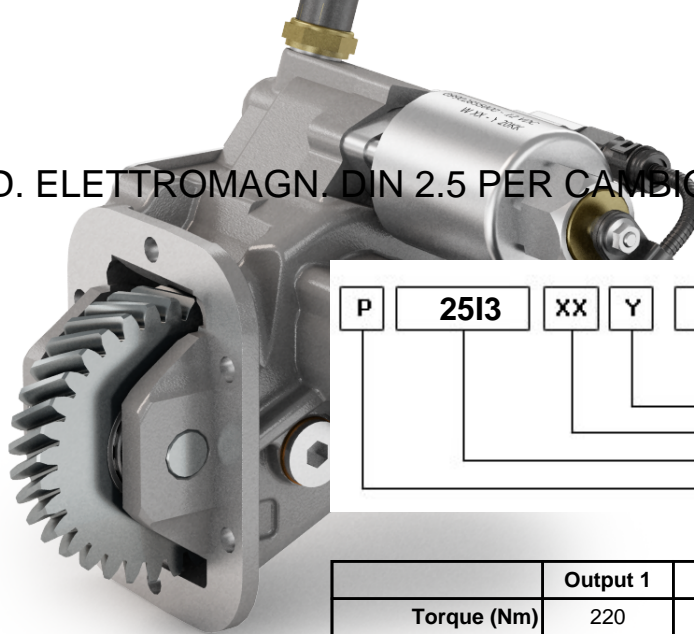


2513

#PTO CMD. ELETTROMAGN. DIN 2.5 PER CAMBIO IVECO 2850.6

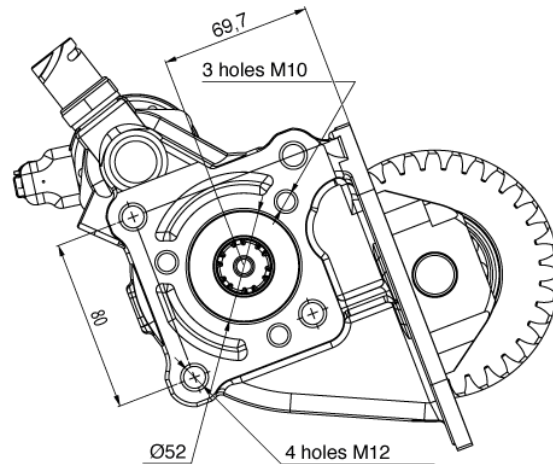
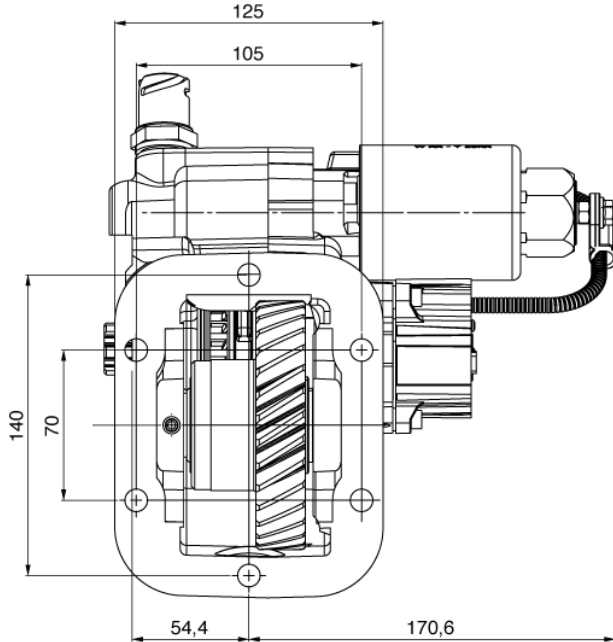


	Output 1		Number of teeth	26
Torque (Nm)	220		Module	3,2
Int. ratio	1,3		Replace	
Number of axles	2		Replaced by	

27/11/2018

Command type

- Electric
 Hydraulic
 Mechanical
 Fixed engagement
 Pneumatic
 Vacuum system



VEHICLE MOTION DIRECTION