

Outlet version
Available option
Control option
Model
PTO

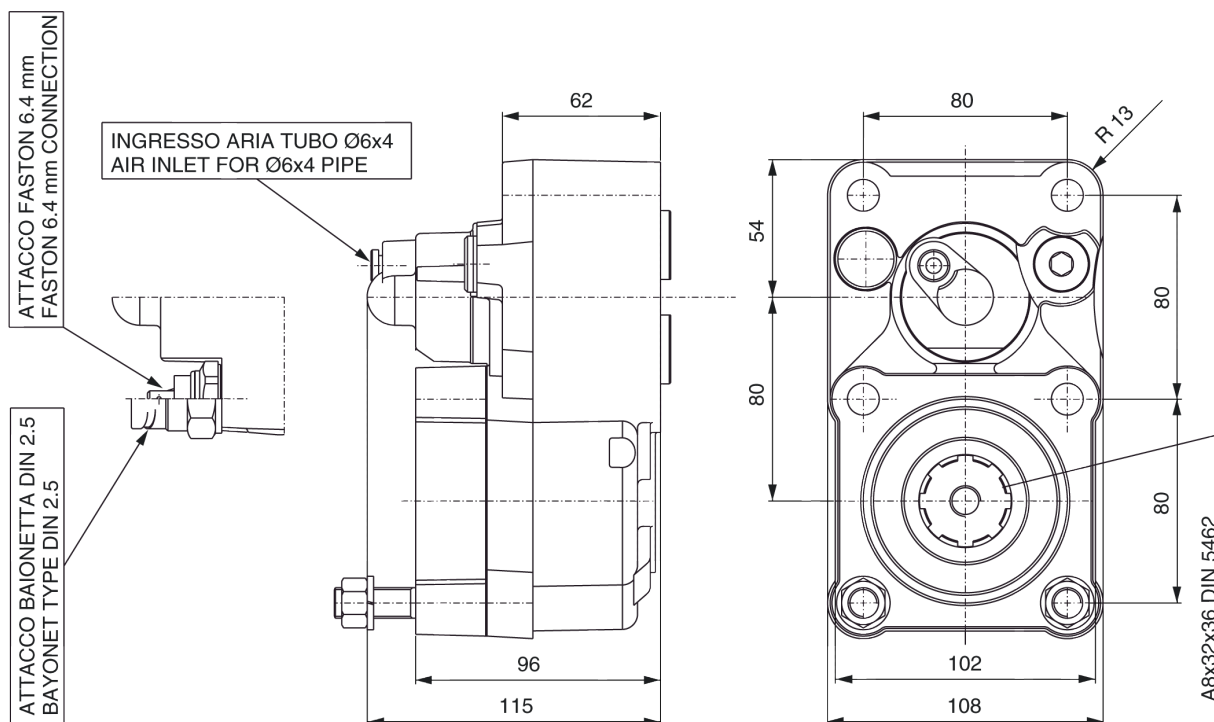
	Output 1	
Torque (Nm)	300	
Int. ratio	1,32	
Number of axles	2	

Number of teeth	12
Module	3,25
Replace	480
Replaced by	

29/11/2016

Command type

Electric Hydraulic Mechanic Fixed engagement Pneumatic Vacuum system



VEHICLE MOTION DIRECTION

