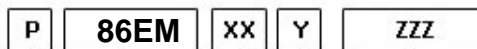
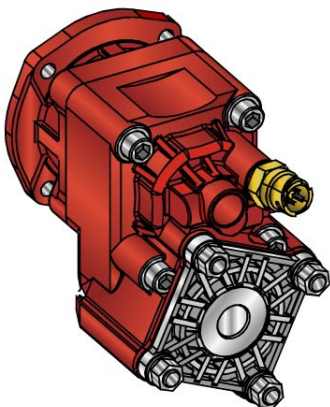




##PTO POS. EATON AMERICANI



Outlet version
 Available option
 Control option
 Model
 PTO

	Output 1		Number of teeth	26
Torque (Nm)	450		Module	1,27
Int. ratio	1,33		Replace	
Number of axles	2		Replaced by	

28/02/2006

Command type

Electric
 Hydraulic
 Mechanic
 Fixed engagement
 Pneumatic
 Vacuum system

