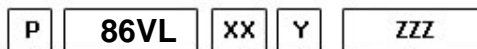
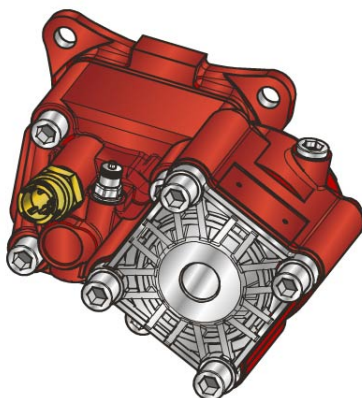




##PTO POS. M. D. VOLVO VT 2412 C



Outlet version
Available option
Control option
Model
PTO

| | | | | |
|------------------------|-----------------|--|------------------------|------|
| | Output 1 | | Number of teeth | 12 |
| Torque (Nm) | 400 | | Module | 3,25 |
| Int. ratio | 1,58 | | Replace | |
| Number of axles | 2 | | Replaced by | |

15/02/2011

Command type

Electric
 Hydraulic
 Mechanical
 Fixed engagement
 Pneumatic
 Vacuum system

