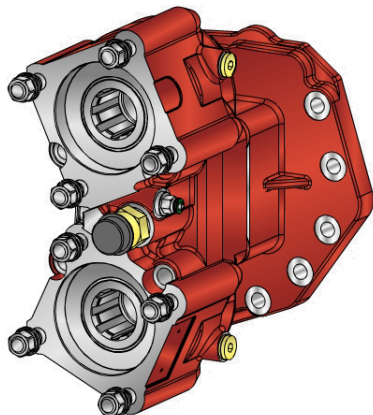




#PTO POS. M. D. D.U. MERCEDES G211



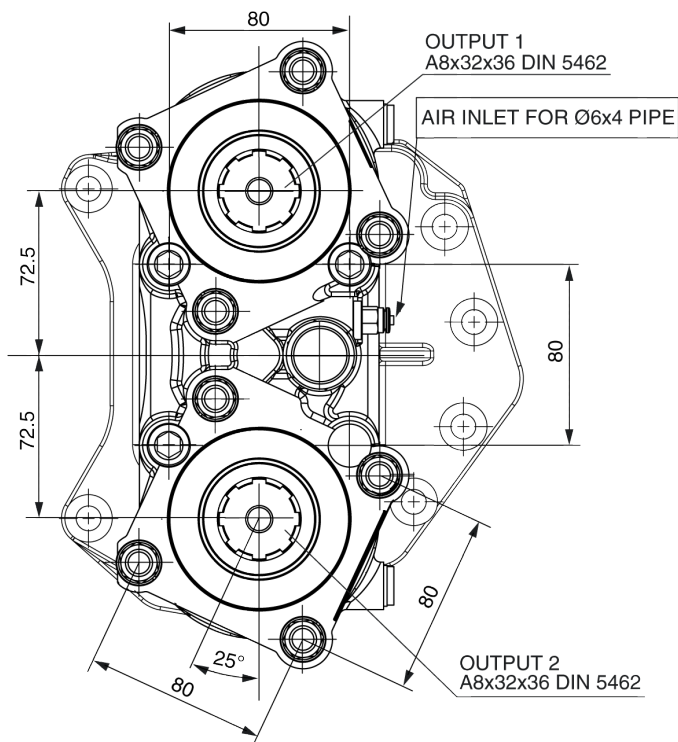
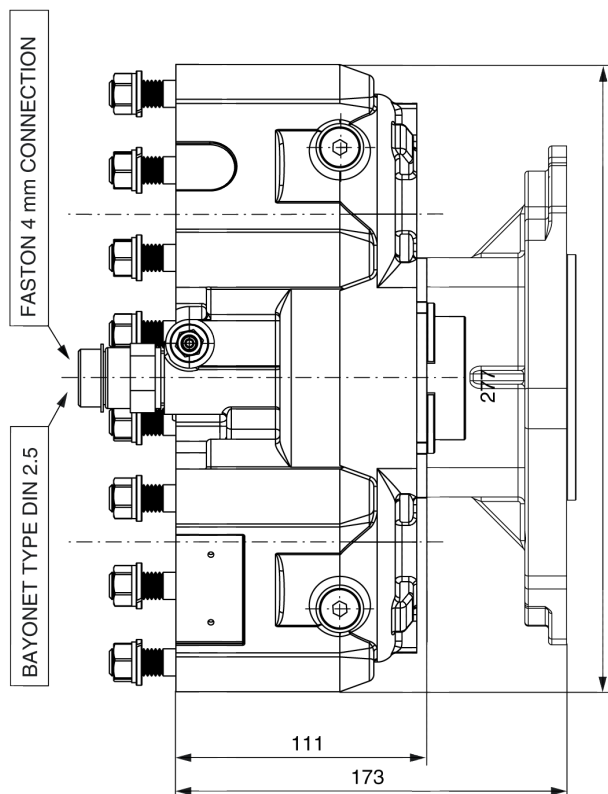
P **93MV** **XX** **Y** **K** **Z1** **Z2**

- Outlet version
- Outlet control option
- Available option
- Control option
- Model
- PTO

	Output 1	Output 2	Number of teeth	12
Torque (Nm)	500	500	Module	3
Int. ratio	0,92	0,92	Replace	
Number of axles	2	2	Replaced by	

Command type

Electric
 Hydraulic
 Mechanical
 Fixed engagement
 Pneumatic
 Vacuum system



VEHICLE MOTION DIRECTION

