

Outlet version  
Available option  
Control option  
Model  
PTO

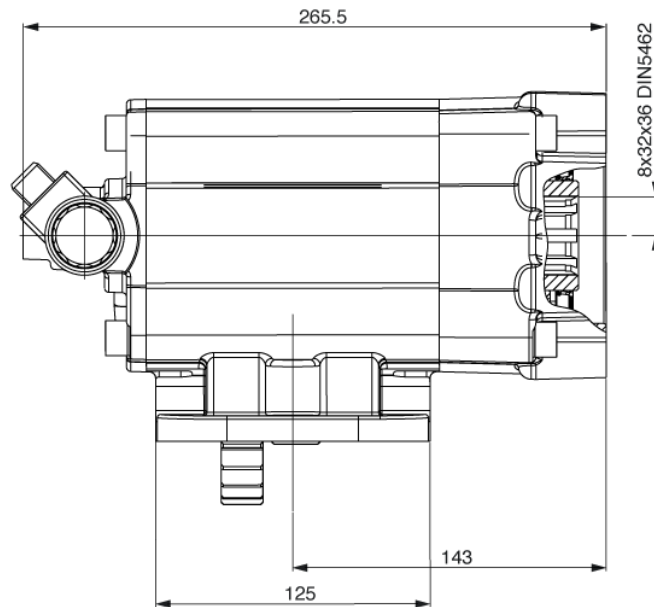
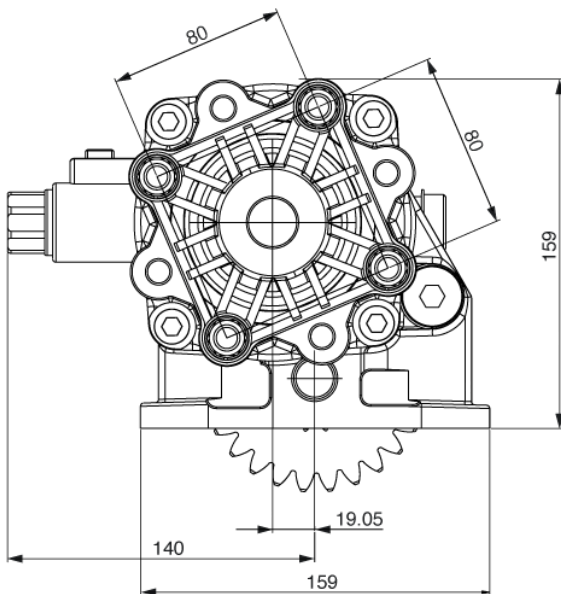
	<b>Output 1</b>	
<b>Torque (Nm)</b>	320	
<b>Int. ratio</b>	0,4	
<b>Number of axles</b>	2	

<b>Number of teeth</b>	26
<b>Module</b>	3,7
<b>Replace</b>	
<b>Replaced by</b>	

28/11/2013

### Command type

Electric     Hydraulic     Mechanical     Fixed engagement     Pneumatic     Vacuum system



VEHICLE MOTION DIRECTION

