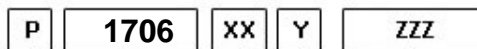
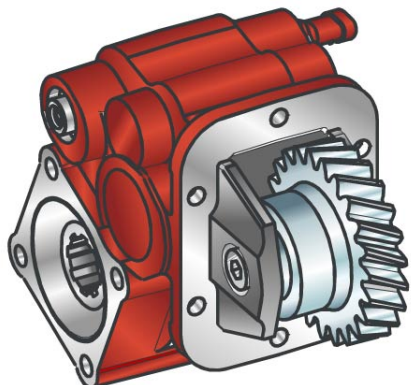




#PTO LAT. L. D. IVECO 2895.9 R. 1,4:1



Outlet version
 Available option
 Control option
 Model
 PTO

	Output 1		Number of teeth	27
Torque (Nm)	215		Module	3,44
Int. ratio	1,562		Replace	
Number of axles	3		Replaced by	

Command type

Electric
 Hydraulic
 Mechanic
 Fixed engagement
 Pneumatic
 Vacuum system

