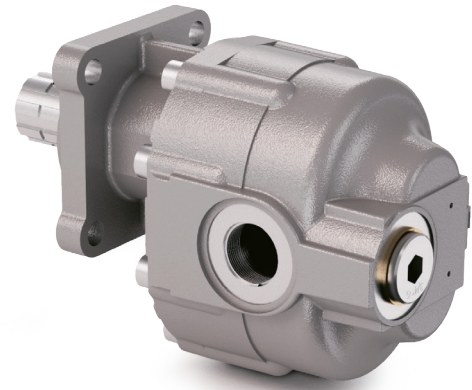
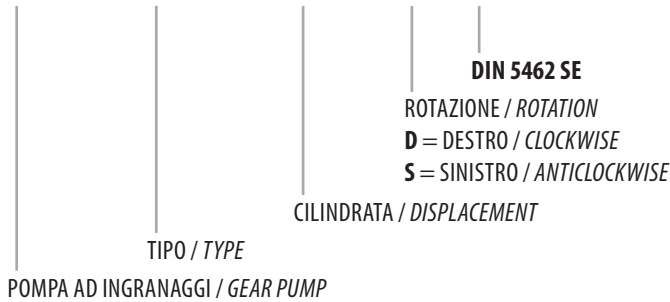


DIN 5462 SE

CODICE DI ORDINAZIONE / ORDERING CODE

200 FZL XXX X S

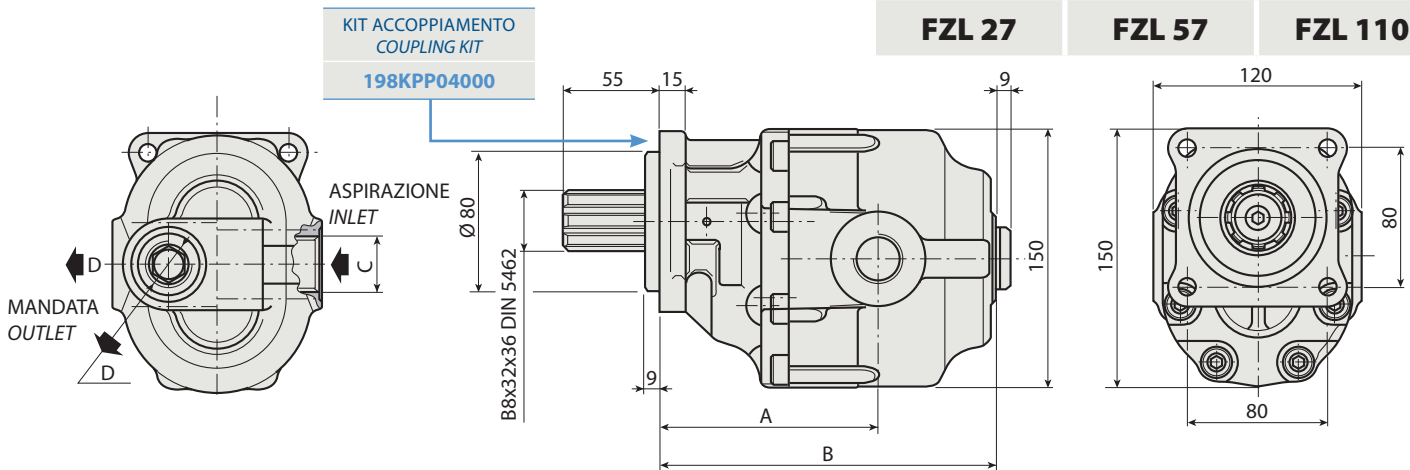


ALBERO USCITA NON SUPPORTATO
OUTPUT SHAFT NOT SUPPORTED



1

FZL 15	FZL 36	FZL 65
FZL 22	FZL 43	FZL 90
FZL 27	FZL 57	FZL 110



CARATTERISTICHE E DATI TECNICI / SPECIFICATIONS AND TECHNICAL DATA

TIPO TYPE	CODICE / CODE		CILINDRATA DISPLACEMENT cm ³ /rev.	A mm	B mm	C ASPIRAZIONE INLET	D MANDATA OUTLET	PESO WEIGHT kg
	ROTAZIONE DESTRA CLOCKWISE ROT.	ROTAZIONE SINISTRA ANTICLOCKWISE ROT.						
FZL 15	200FZL015DS	200FZL015SS	15	96.5	142.5	3/4" G	1/2" G	8.6
FZL 22	200FZL022DS	200FZL022SS	22	101.5	147.5	3/4" G	1/2" G	9.1
FZL 27	200FZL027DS	200FZL027SS	27	105	152.5	3/4" G	1/2" G	9.3
FZL 36	200FZL036DS	200FZL036SS	36	99.5	157.5	3/4" G	1/2" G	9.8
FZL 43	200FZL043DS	200FZL043SS	43	104.5	162.5	1" G	3/4" G	10.2
FZL 57	200FZL057DS	200FZL057SS	57	111.5	172.5	1" G	3/4" G	11
FZL 65	200FZL065DS	200FZL065SS	65	116.5	177.5	1" G	3/4" G	11.5
FZL 90	200FZL090DS	200FZL090SS	84	126	192.5	1" 1/4 G	1" G	12.5
FZL 110	200FZL110DS	200FZL110SS	105	138	204.5	1" 1/4 G	1" G	14.3

KIT RASAMENTI / THRUST PLATES KIT CODICE / CODE 20601800000

KIT GUARNIZIONI COMPLETO / COMPLETE SEALS KIT CODICE / CODE 21900800000

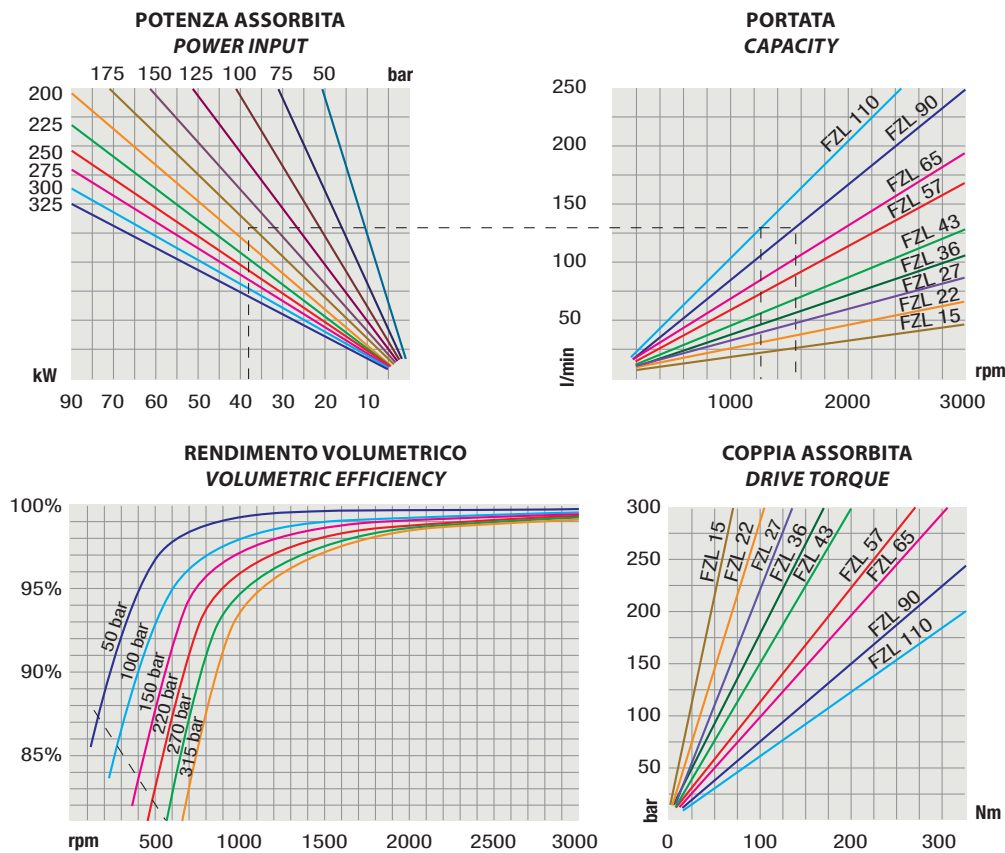
Per la scelta dei raccordi orientabili vedi pag. 212-213 / For the selection of adjustable fittings see page 212-213

- A richiesta possono essere fornite le pompe ad ingranaggi con le guarnizioni HNBR per climi freddi (-40 °C).
- On request our gear pumps may be supplied with HNBR seals for cold climates (-40 °C).

DIN 5462 SE

TIPO / TYPE			FZL 15	FZL 22	FZL 27	FZL 36	FZL 43	FZL 57	FZL 65	FZL 90	FZL 110	
Cilindrata Displacement	Vg	cm ³ /n cm ³ /rev.	15	22	27	36	43	57	65	84	105	
Pressione massima continua Max continuous operating pressure	P1		315	305	300	300	280	240	220	210	180	
Pressione massima intermittente Max intermittent operating pressure	(max 30 s)	P2	bar	340	330	325	325	305	265	240	230	200
Pressione massima di picco Max peak pressure	(≤ 0.1 s)	P3		360	350	450	345	325	285	265	250	220
Velocità massima intermittente Max intermittent speed	(P ≤ 20 bar)	n3		4000	4000	3500	3500	3500	3500	3500	3000	
Velocità massima continua Max continuous speed	(≤ P1)	n1	n/min r.p.m.	2500	2500	2200	2200	2200	2000	1800	1500	
Velocità minima intermittente Min intermittent speed	(≤ P2 x 0.5) (max 30 s)	n4		450	450	350	350	350	300	300	300	

DIAGRAMMI / DIAGRAMS



RILIEVI ESEGUITI CON OLIO ISO VG 46 A 50° C ($\nu = 30$ cSt)
THE ABOVE SPECIFICATIONS REFER TO OIL TYPE ISO VG 46 AT 50° C ($\nu = 30$ cSt)