



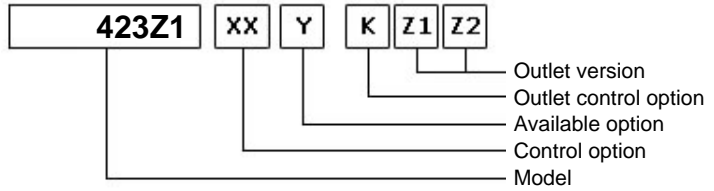
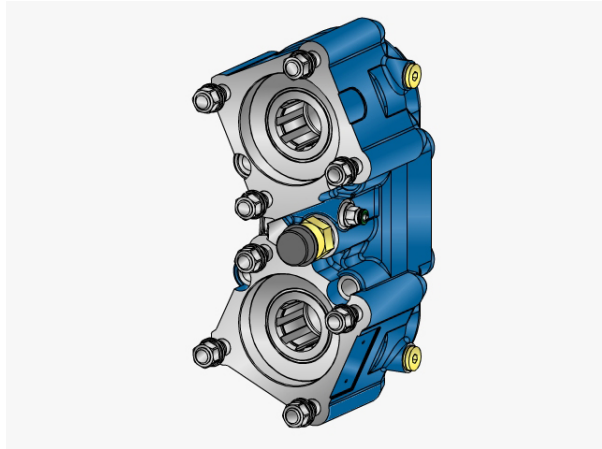
PZB®

D01P-0-03 - Pagina WebPTO PZB - rev. 0

423Z1



#PTO POS. M.D. D.U. ZF 16S151-221

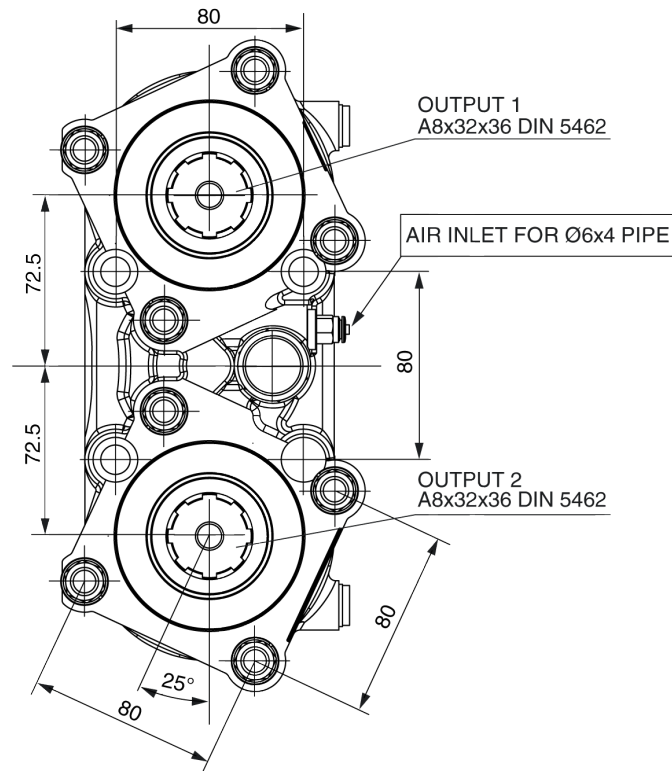
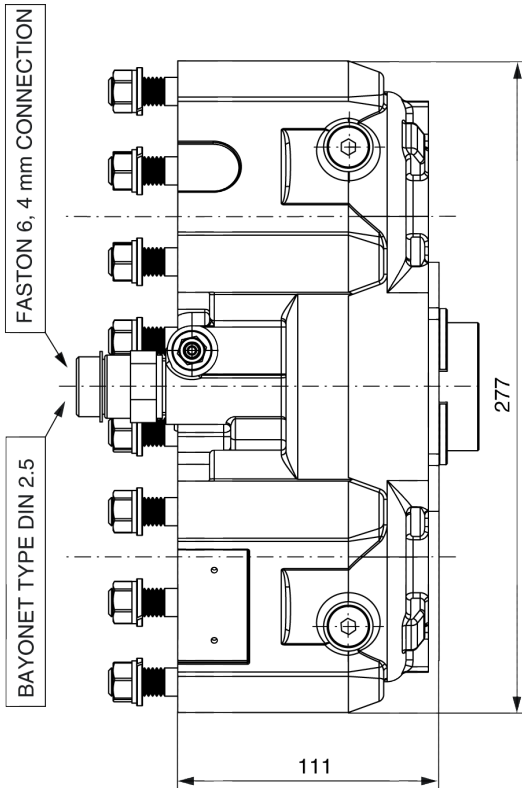


	Output 1	Output 2	Number of teeth	12
Torque (Nm)	350	350	Module	3,25
Int. ratio	1,8	1,8	Replace	
Number of axles	2	2	Replaced by	

07/04/2011

Command type

- Mechanical with lever remote control (TC)
- Ready for electric solenoid control
- Mechanical with PUSH-PULL remote control
- Hydraulic control
- Depressure control
- Electric control KES 5
- Pneumatic
- Constantly engaged
- Ready for detached control



VEHICLE MOTION DIRECTION

