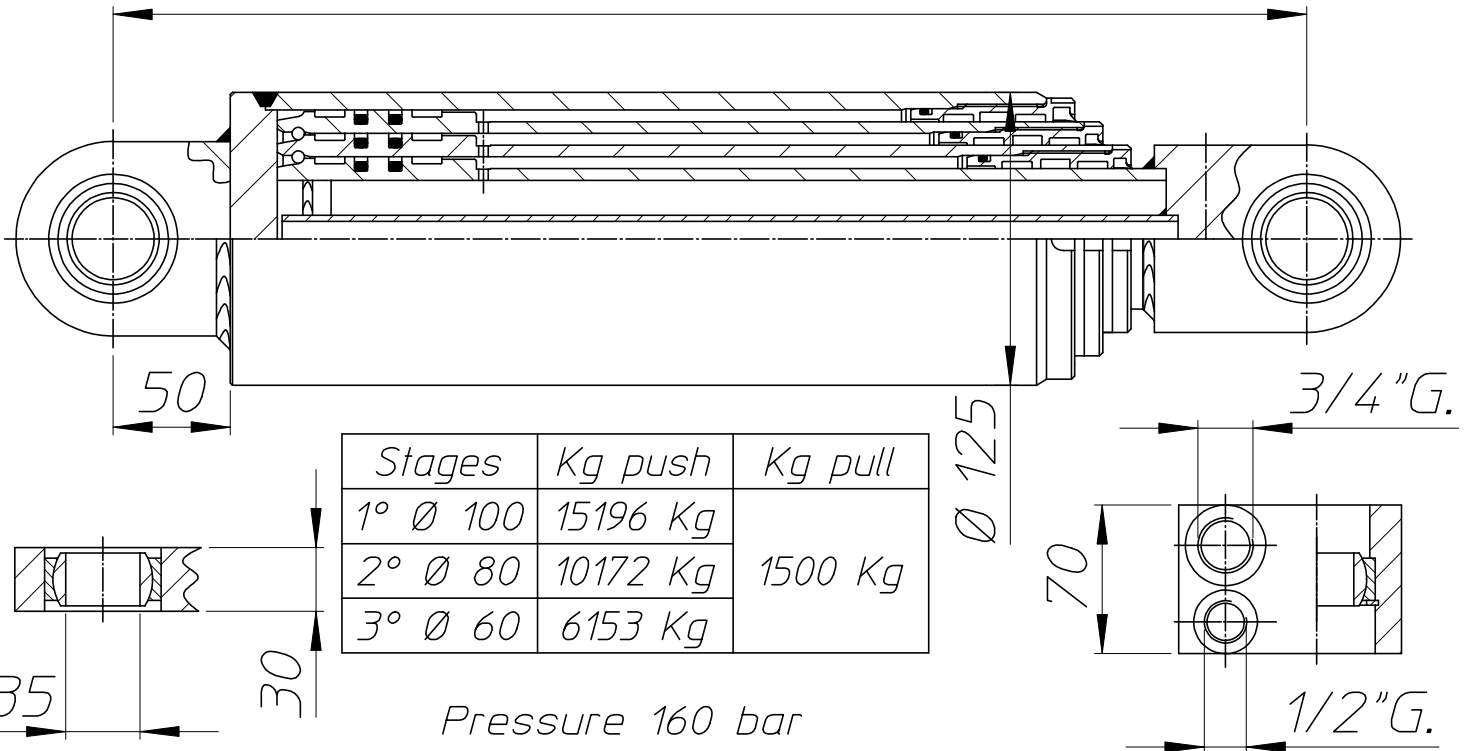


*Closed*



<i>Code</i>	<i>Closed</i>	<i>Stroke</i>	<i>Tot. Open</i>
T63/160/600	600	850	1450
T63/160/650	650	1000	1650
T63/160/700	700	1150	1850
T63/160/750	750	1300	2050
T63/160/800	800	1450	2250
T63/160/850	850	1600	2450
T63/160/900	900	1750	2650
T63/160/950	950	1900	2850
T63/160/1000	1000	2050	3050
T63/160/1050	1050	2200	3250
T63/160/1100	1100	2350	3450
T63/160/1150	1150	2500	3650
T63/160/1200	1200	2650	3850
T63/160/1250	1250	2800	4050
T63/160/1300	1300	2850	4150
T63/160/1350	1350	3000	4350
T63/160/1400	1400	3150	4550
T63/160/1450	1450	3300	4750
T63/160/1500	1500	3450	4950
T63/160/1550	1550	3600	5150

*We also supply if you need middle dimensions*