



HEAVY DUTY VERTICAL SPLIT-SHAFT UNIT 2000 KGM

4.2.90.3.

3000 KGM

4.2.90.4.



- ✓ Inserted in the driveshaft between gearbox and rear axle.
- ✓ **Max torque on PTO output shaft:**
225 kgm peak torque,
200 kgm of standard operating torque at 1500 rpm.
- ✓ Two - one to front, one to rear - independently shiftable PTO's for hydraulic pumps or prop-shaft drive.
 Upper cardan output applications on the front or rear side with torque: **190 peak, 170 kgm operating torque at 1500 rpm.**
 Standard upper cardan output applications with torque: 130 kgm peak, 110 kgm operating torque at 2000 rpm.
- ✓ "Constant-mesh" output options on request.
- ✓ Clutch unit p.n. 3.5.1.068.0000 capable of 60 kgm suitable for "constant-mesh" output direct mounting.
- ✓ Two auxiliary PTO outputs available on request off the idler shaft with 4.2.00.02 independent engagement.
- ✓ Auxiliary power available with the vehicle in motion.
- ✓ Drive connection to rear axle independent on PTO operation.
- ✓ Provision for electronic tachograph (Mannesmann VDO type):
 code 0.99.00.740.00 (dynamic with faston-type joint),
 code 0.99.00.741.00 (static with faston-type joint),
 code 0.99.00.742.00 (static with plug type joint).
- ✓ Versions predisposed for oil cooling kit or with kit already mounted.
- ✓ Max throughput rpm:
 - standard unit: **2.200 rpm,**
 - with oil cooling kit: **3.700 rpm.**

TORQUE RATING THROUGH THE MAIN DRIVE SHAFT:

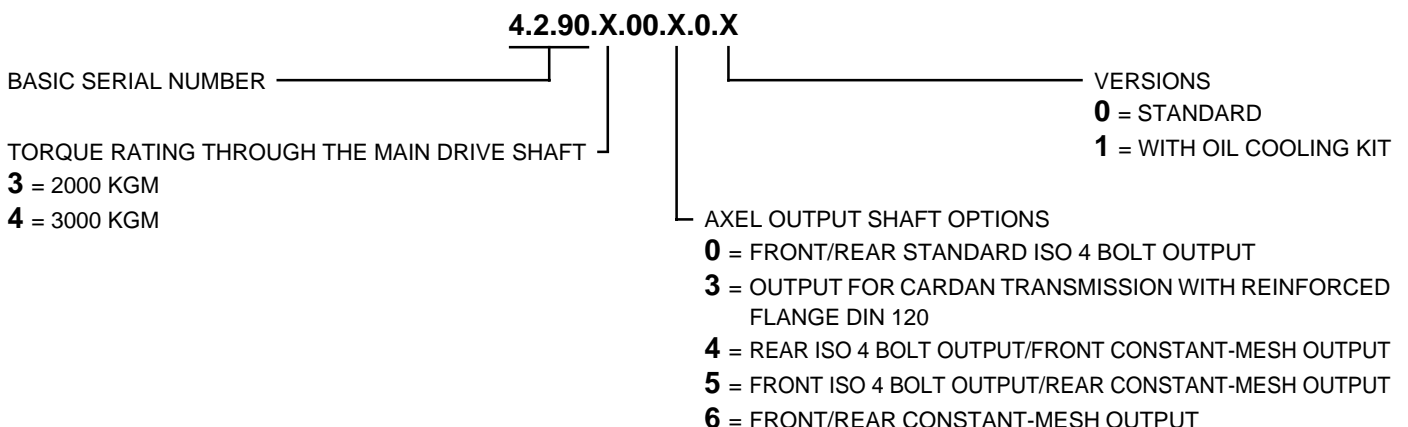
2000 kgm for 4.2.90.3 - **3000 kgm** for 4.2.90.4

AVAILABLE PTO OUTPUT RATIOS: 1,28:1

ROTATION: engine

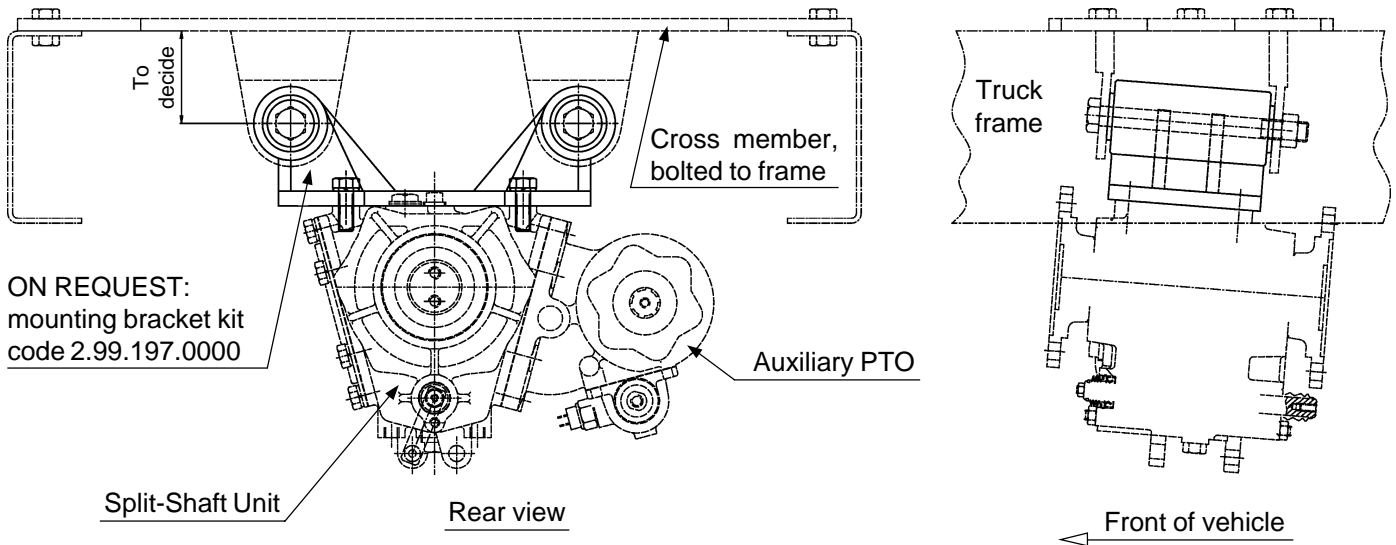
WEIGHT 4.2.90.3: kg. 109 (without flanges)

4.2.90.4: kg. 112 (without flanges)



ON REQUEST: MOUNTING BRACKET KIT CODE 2.99.197.0000

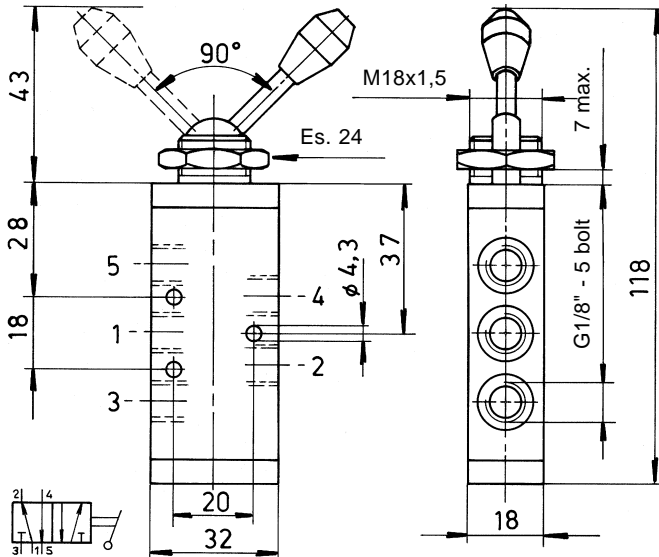
Mounting kits are available for easy installation of the 4.2.58.9 Split-Shaft Units in the truck chassis.



ON REQUEST:
mounting bracket kit
code 2.99.197.0000

ON REQUEST:

**DOUBLE-ACTING AIR CONTROL TO CONNECT/DISCONNECT MAIN DRIVE
CODE 0.00.04.023.00**



SPECIFICATIONS

Fluid:	Air, filtered and oiled
Operating pressure:	10 Bar max.
Operating temperature:	from -5°C to +70°C