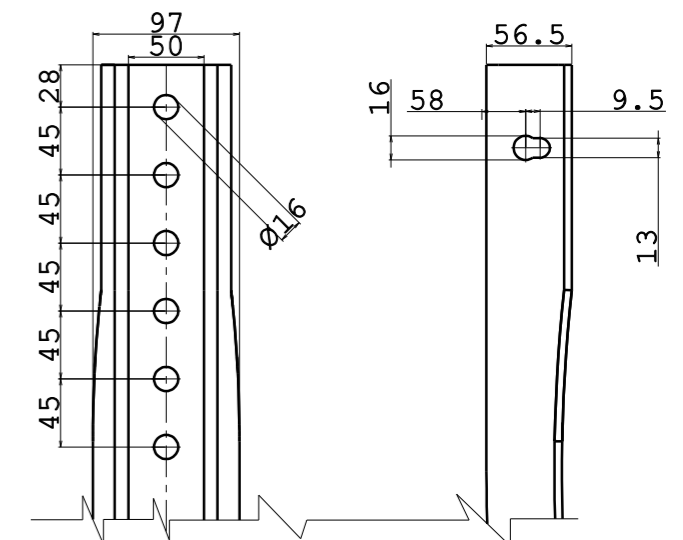


5 SUPPORT CONNECTION DETAIL



Tank composition

Pos.	Denomination	Q.ty
1	FILLING CAP	1
2	LEVEL INDICATOR VDO TYPE CONNECTION	1
3	DIESEL DRAINAGE	1
4	PARTITION	2
5	SUPPORT 50/64	2
6	STRAP	2
7	GROUND CONNECTION	1

MARK DETAIL



Tank dimension

Full capacity	283 Lt
Support weight	20 Kg
Tank weight (F,I,T)	kg (A) kg
Dimensions	1000x500x640 mm

Rev.	Modify description	Date	Dis.	Ver.	App.
1	PUT ON GROUND CONNECTION, NEW OMOLOGATION	10/12/2013	AF	MM	BM
0	EMISSION	08/02/2008	MM	CGP	PF

Part name : Diesel oil tank 300 LT Al/Steel/Stainl.steel fam. 500x640		Material code		General tolerances: ISO 2768 V
Part code : NSG (X) 0300100C100	Replace the	(X)=F:Steel DC03A EN 10130		
Scale 1:10	Replaced by	(X)=I:Stainless steel AISI 304 UNI EN 10088 (X)=T:Text stain.steel AISI 304 UNI EN 10088		
Drawing format A3		(X)=A:Aluminium EN AW 5754		DO NOT MAKE MEASUREMENTS ON DRAWING DO NOT CHANGE WITHOUT TECHNICAL OFFICE AUTHORIZATION
OWNERSHIP OF THIS DRAWING IS RESERVED BY LAW AND MAY NOT BE REPRODUCED IN WHOLE OR IN PART WITHOUT PERMISSION OF PADOAN S.R.L.				

